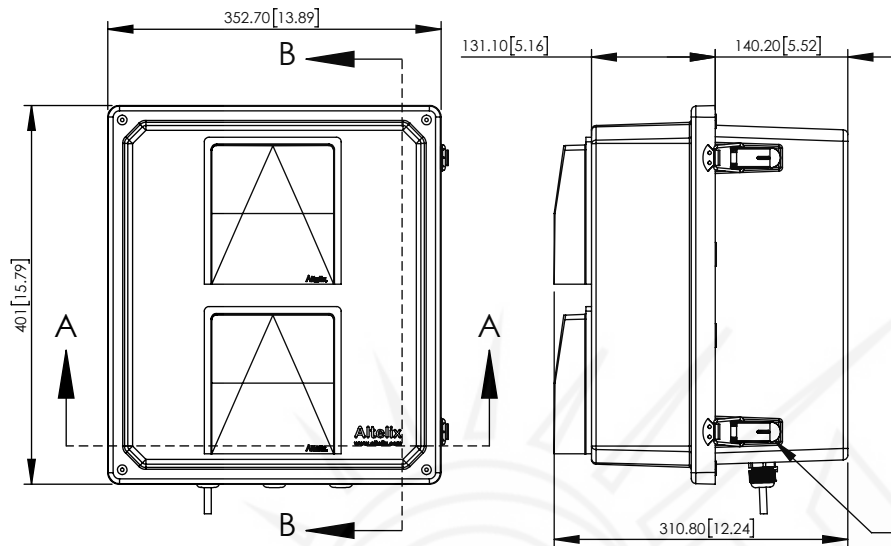
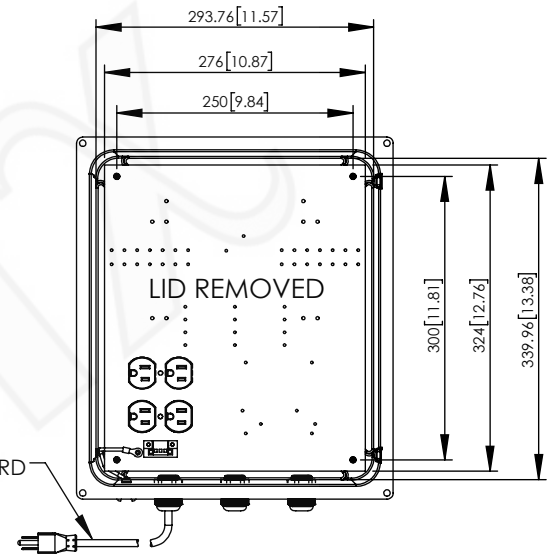
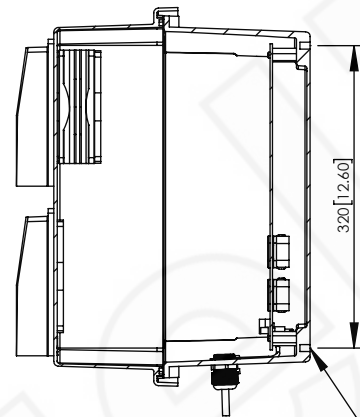


REV	DATE	DESCRIPTION
A	08/24/23	INITIAL RELEASE

THE INFORMATION CONTAINED IN THIS DRAWING IS THE SOLE PROPERTY OF ALTELIX LLC. ANY REPRODUCTION IN PART OR WHOLE WITHOUT THE WRITTEN PERMISSION OF ALTELIX LLC IS PROHIBITED. ALL SPECIFICATIONS SUBJECT TO CHANGE WITHOUT NOTICE. (C) 2017 ALTELIX LLC.



SECTION B-B

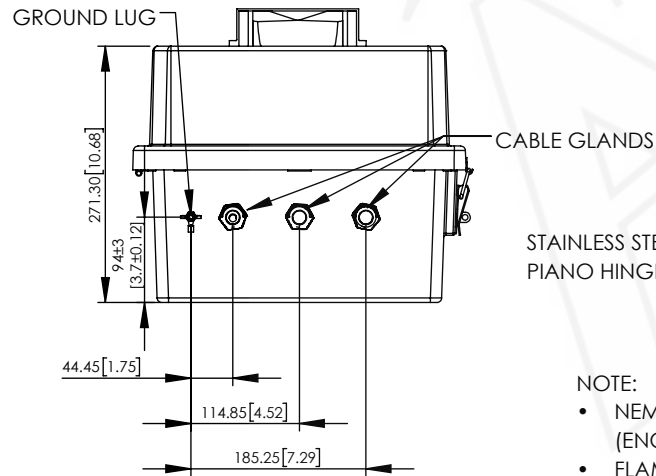
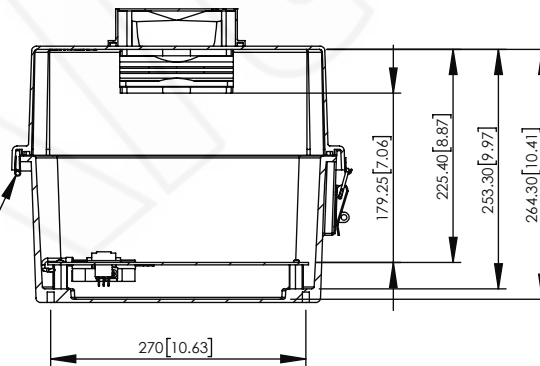


POWER CORD

M5-0.8
THREADED INSERT

STAINLESS STEEL LATCHES
Ø5.96 [0.23] PADLOCK EYE

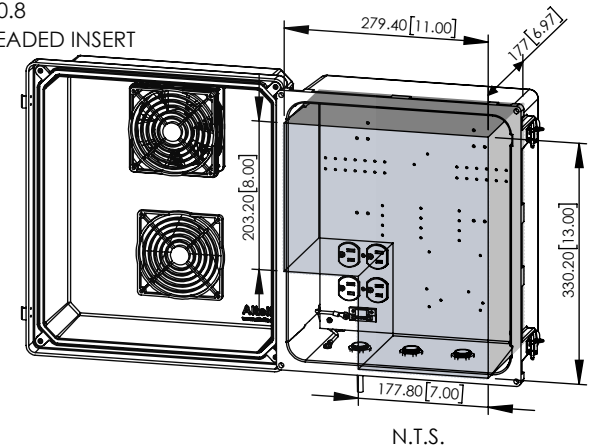
SECTION A-A



STAINLESS STEEL
PIANO HINGE

NOTE:

- NEMA RATED TYPE 3R, 3RX/IP24
(ENCLOSURE PORTS MUST BE PROPERLY SEALED TO MAINTAIN NEMA RATING)
- FLAME RATED UL94-5V



N.T.S.

NO.	DESCRIPTION	MATERIAL	FINISH	QTY.
8	-	-	-	-
7	-	-	-	-
6	-	-	-	-
5	-	-	-	-
4	-	-	-	-
3	-	-	-	-
2	-	-	-	-
1	NEMA ENCLOSURE	FRP	-	1

UNLESS OTHERWISE SPECIFIED:
DIMENSIONS ARE IN MILLIMETERS.
DIMENSIONS IN [] ARE IN INCHES AND
ARE FOR CUSTOMER REFERENCE ONLY.

TOLERANCES FOR MILLIMETERS:
0.5-8mm ± 0.20mm
8-30mm ± 0.40mm
30-120mm ± 0.50mm

TASK	NAME	DATE
DRAWN BY	W. Burns	08/24/23
CHECKED	N. Colucci	9/6/23
APPROVED	-	-



1201 Clint Moore Road
Boca Raton, FL 33487
TEL: 561-660-WIFI

PART DESCRIPTION
14 X 12 X 10 NEMA ENCLOSURE WITH
FAN, 120VAC AND POWER CORD

PART NUMBER	NF141210VFA1C
DRAWING NUMBER	DRW-NF141210VFA1C
SCALE:	1:8
REV:	A
SHEET	1 OF 1