

EX[®] Universal Extended Body Compression Connectors Series 59, 6, Plenum and BNC

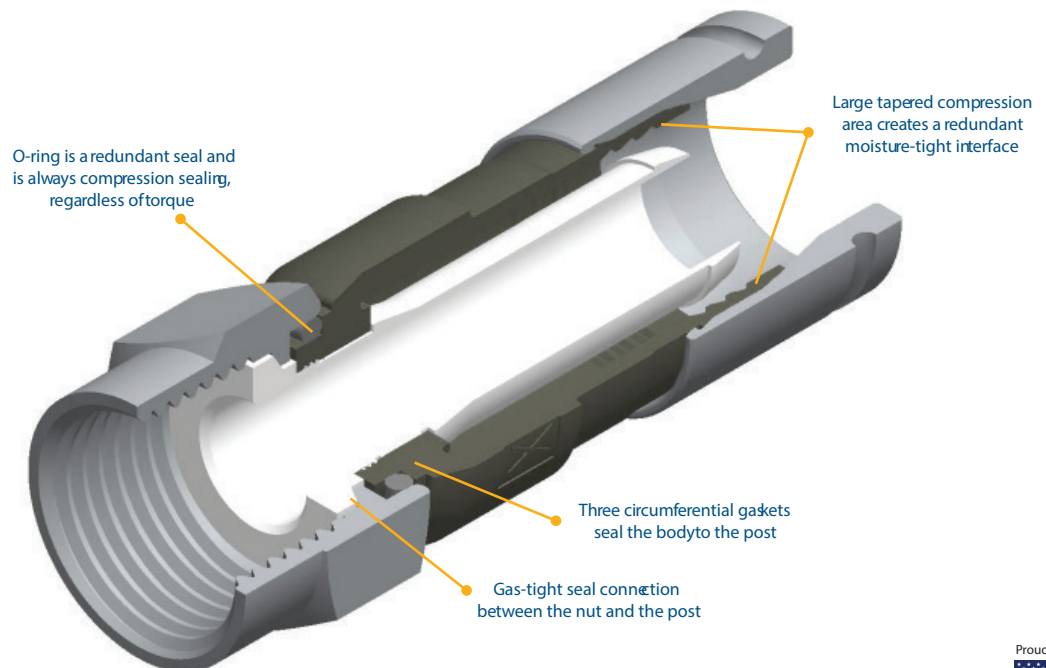
Installers are faced with the problem of identifying old, unmarked 60% through Quad Shield Series 6 cable and having to guess which connector is the best match. This results in unnecessary service calls due to the use of the wrong connector/cable match.

The unique patented design of the EX body achieves true universality on 60% through Quad Shield for PE and PVC jackets.

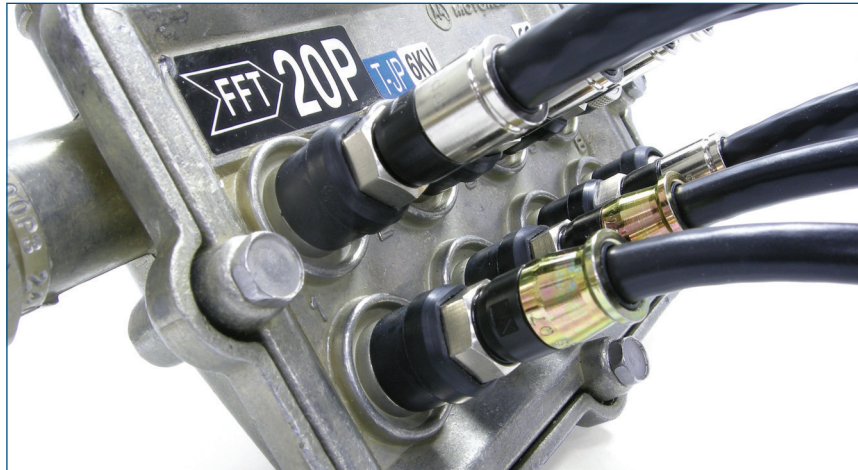


Specifications	
Bandwidth	0 MHz to 3 GHz
Impedance	75 Ohms (nominal)
Return Loss	Minimum -30 dBto 3 GHz
Insertion Loss	Less than .10 dBto 3 GHz
OperatingVoltage	90V (at 60Hz continuousAC)
OperatingTemperature	-40°F to + 140°F (-40°C to 60°C)
Cable Retention	45 lbs (20.41kg) minimum
<i>Meets or Exceeds all Industry Standards</i>	

Features



Application



EX[®] Universal compression connectors used in combination with port seals ensure proper port sealing every time

EX[®] Series Universal Extended Body Connectors: Series 6, 59, Plenum & BNC

EX6XL



EX59XL



EX6XLP



EXBNC6



Part Numbers

EX6XL	EX [®] Universal compression connector, extended body, series 6 cable
EX59XL	EX [®] Universal compression connector, extended body, series 59 cable
EX6XLP	EX [®] Universal compression connector, extended body, Plenum cable
EXBNC6	EX [®] Universal compression connector, BNC, series 6 cable

CAT-AS



VT200



VT250



LDT596-250



TW307 AH



CPLCCT-SLM



CPLCCT-1-S



Preparation & Installation Tools

Compression Tool	CAT-AS, VT200 and VT250*		
	CPLCCT-SLM and CPLCCT-1-S		
1/4" – 1/4" universal drop cable preparation tool	LDT596-250	DDT59611	
7/16" snap torque wrench	TW207	TW307	TW307 AH

*The VT250 tool works for F-Type 6, 59, and 11 as well as PPC BNC

