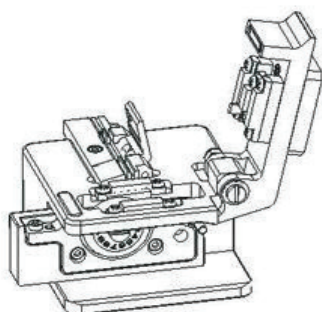
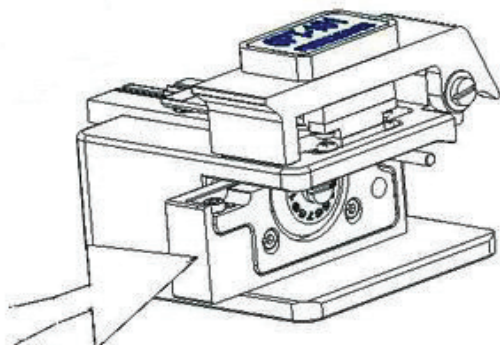
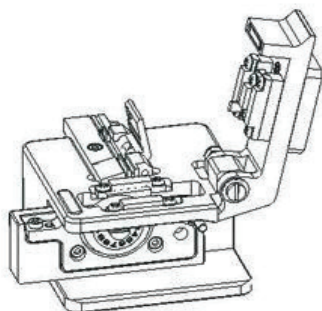


Important Safety Precautions

- Read user manual carefully before use.
- Do not get the fiber cleaver wet. Avoid humid or dusty environments. Avoid high temperatures to prevent deformation.
- This is a precision instrument. Avoid drops or impact to this unit.
- Regularly clean blade, holder lid, and fiber holder groove with alcohol. Do not use acetone or corrosive fluxing agents to clean blade.

Fiber Cleaver Operation Steps



Preparing fiber involves removal of colored soft peel coating per instruction steps included with SSF™ connectors. Do not attempt to cleave fiber that has not been prepared.

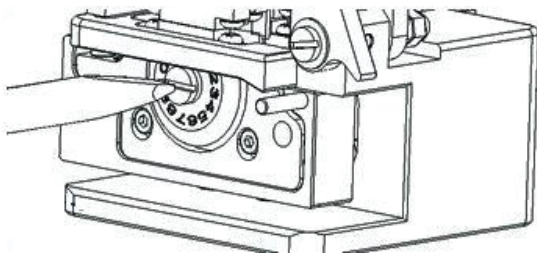
1. Open the clamp cover and fiber holder lid. Place the prepared fiber in the fiber holder v-groove according to need in order to determine the cleaving length, based on connector requirement. Ensure fiber is long enough to lay across both black pads.
2. *Clamp cover: *Utilize only as needed. Note that fiber must be positioned straight and at a 90° angle to the blade wheel.* Push the blade carriage sliding block forward firmly.
3. Open the clamp cover. Carefully pick out the cleaved optical fiber. Do not allow the cleaved fiber to touch anything prior to insertion into connector to avoid contamination.

Clean with Alcohol

Periodically clean fiber holder groove, fiber holder lid, and blade edge. Do not use acetone or corrosive fluxing agent to clean.

Adjusting the Blade Position

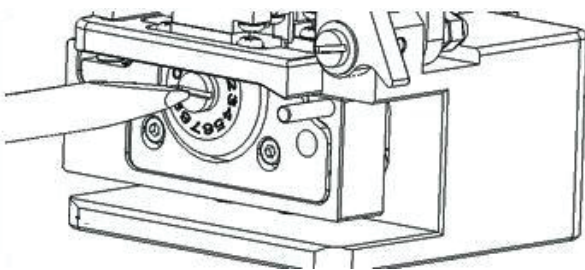
If fiber cleaver cannot successfully cleave, or if blade cutting point can't be used again, it is necessary to change the blade cutting point (the blade with cutting point 1-12).



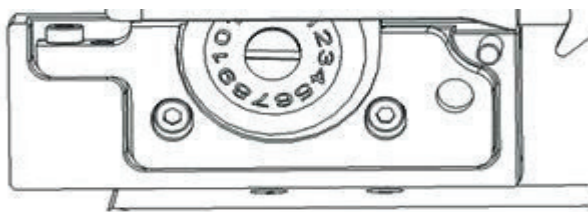
1. Unscrew the fastening screw of the blade, turning in a counter-clockwise direction with a screwdriver. Rotate blade by one position to the next number (original number on blade plus one), then tighten screw.

Blade Replacement

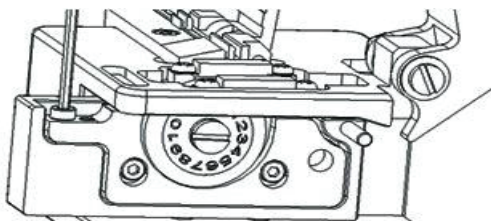
Once all 12 positions on the blade have been utilized, it is necessary to replace the blade.



1. Unscrew the screw that connects the blade carriage sliding block.



Blade Height Adjustment



2. Loosen the blade clamping screw.
3. Carefully remove the blade carriage. Unscrew the blade fastening screw to remove the blade and insert new blade. Rotate blade and place number 1 on the uppermost position, then tighten the screws.
4. Fasten the blade carriage on the blade sliding block, then tighten the fastening screws.
5. Adjust the adjustment screw of blade carriage.

If fiber does not cleave, ensure all steps have been followed prior to adjustment. Refer to SSF™ adjustment procedure included with this cleaver.