



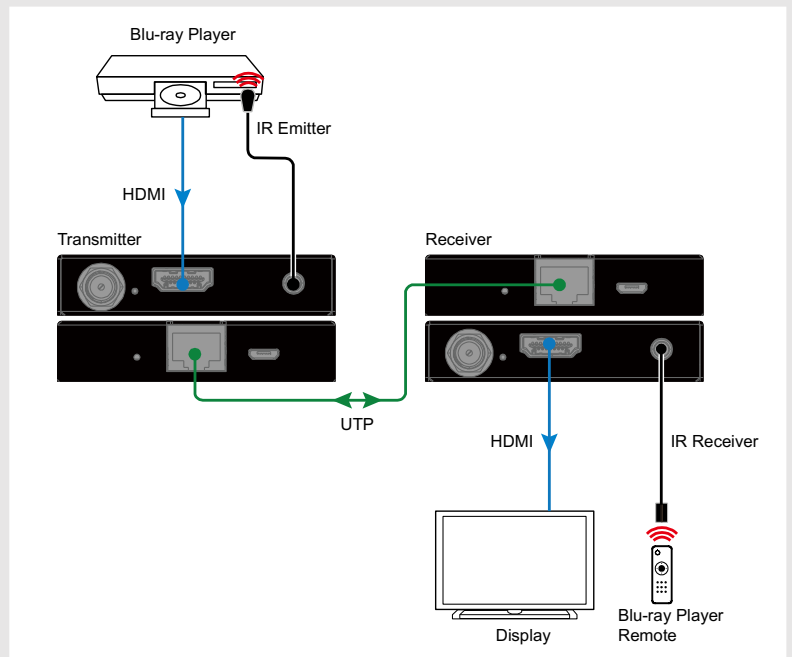
HDMI & IR Over Twisted Pair Extender Set

The LightSpeed Technologies® 4K-50M-BASIC-KIT includes one twisted pair transmitter, one twisted pair receiver, one power supply that provides flexible power to the extender set from either the transmit or receiver side, IR accessories and mounting brackets.

The extender set features a slim, easy-to-install chassis and powerful signal performance, including HDCP 2.2, HDMI 2.0 and 4K60 4:4:4 compatibility. In addition to HDMI, the 4K-50M-BASIC-KIT transmits IR from the receiver to the transmitter.

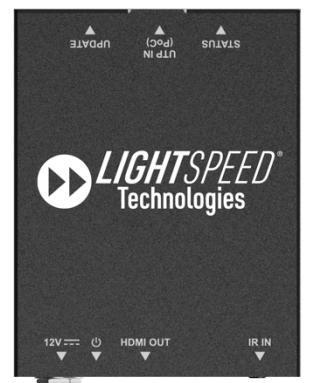
Product Snapshot

- Supports video resolutions up to 4K@60Hz 4:4:4 8bit
- Supports HDMI 2.0 and HDCP 2.2
- Transmits 4K60 up to 50m (164ft) via CAT5E/6+
- Transmits 1080P up to 60m (197ft) via CAT5E/6+
- Supports HDR10, HLG and Dolby Vision in low-latency mode
- Supports multichannel audio up to PCM 5.1, Dolby Digital and DTS 5.1
- Supports one-way IR pass-through from receiver to transmitter
- Supports bi-directional power (PoC compatible) from either the receiver or transmitter
- Slim chassis with optional mounting brackets for easy installation



Specifications

Video	
Input/Output Signal Type	HDMI 2.0, HDCP 2.2
Input/Output Resolution Supported	Up to 3840x2160@60Hz, including 3840x2160@60Hz/4096x2160@50Hz/4K@30Hz/1080P/1080I/720P
Maximum Data Rate	18 Gbps
Maximum Pixel Clock	600MHz
Supported Audio Formats	Supports multichannel audio up to PCM 5.1, Dolby Digital and DTS 5.1
Max Distance	
4K60 4:4:4	50m (164ft) over CAT5E/6+ UTP or STP
1080P/1080I/720P	60m (197ft) over CAT5E/6+ UTP or STP
HDMI interconnect cables	15m (49ft) for 1080P/1080I/720P 10m (33ft) for 4K60/4K60
General	
Operating Temperature	32°F to 113°F (0°C to 45°C)
Storage Temperature	-4°F to 158°F (-20°C to 70°C)
Humidity	10% to 90%, non-condensing
ESD Protection (Human-body Model)	±8kV (Air-gap discharge) ±4kV (Contact discharge)
Power Supply	12VDC 1A
Power Consumption (Maximum)	5.79W (Pair, PoC)
Chassis Dimension (W x H x D)	Transmitter: 2.75" x 0.60" x 3.54" (69.9mm x 15.2 mm x 90mm) Receiver: 2.75" x 0.60" x 3.54" (69.9mm x 15.2 mm x 90mm)
Product Weight	Transmitter: 0.33lb (0.15kg) Receiver: 0.33lb (0.15kg)



Kit Information

Part Number	4K-50M-BASIC-KIT
Contents	1 x twisted pair transmitter 1 x twisted pair receiver 1 x power supply (12VDC/1A) 1 x IR emitter 1 x IR receiver (rated for broadband 30-50KHz) 4 x mounting brackets and screws