

Connectivity.Assured

PRO 8K, 32.4Gbps DisplayPort™ Cable

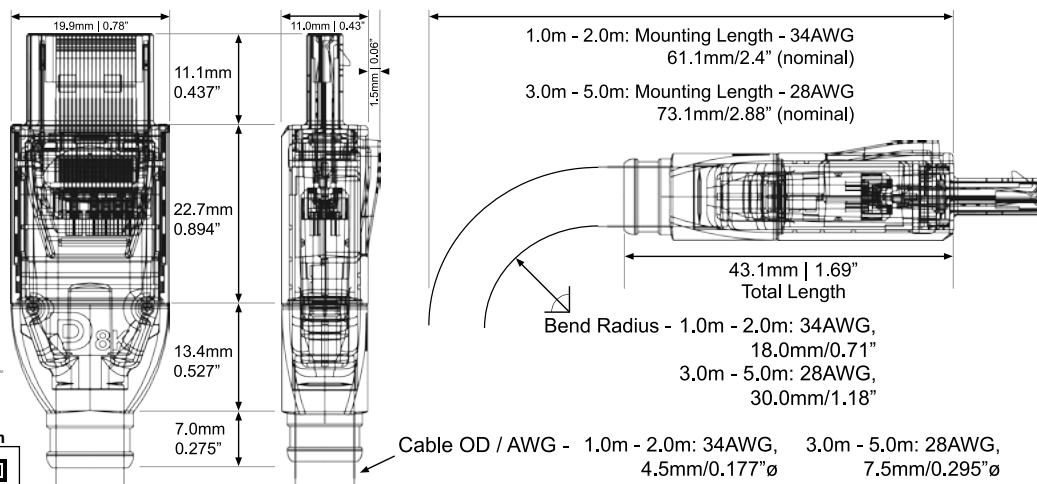


The Kordz PRO series DisplayPort™ 1.4 HBR3 Cable is designed and engineered to provide a reliable connection from a DisplayPort™ supported (Gaming) PC or Laptop to an 8K/60Hz or 4K/120Hz UHD Monitor or other DisplayPort™ supported device. Kordz PRO Series is a general application DisplayPort™ cable, engineered for the discerning integrator. It employs materials and construction methodologies which deliver a balance of economy and dependable performance without compromising the most critical elements common to all Kordz digital cables; the retention of digital signal integrity.



- ▶ Engineered and constructed to ensure installation success and longevity
- ▶ DisplayPort™ 1.4 8K offers backwards compatibility with earlier DisplayPort™ standards
- ▶ Supports high resolution displays up to 8K 7680 x 4320@60Hz
- ▶ Supports High Bit Rate 3 (HBR3) mode with bandwidth up to 32.4Gbps
- ▶ Supports Display Stream Compression (DSC) 1.2
- ▶ Forward Error Correction (FEC)
- ▶ High Dynamic Range (HDR) & HDCP 2.2
- ▶ Supports Expanded Audio Transport - up to 32 audio channels
- ▶ 1536kHz audio sample rate, and inclusion of all known audio formats
- ▶ Infrared soldered pin transitions for benchmark inter-terminal uniformity
- ▶ ABS + PVC strain relief assembly with diecast gold plated connector
- ▶ Latching DisplayPort™ connector provides a secure error free plug-in connection
- ▶ DisplayPort™ Certified and compliant

Technical Specifications	
DisplayPort™ Cable Certification ≤ 5.0m PASSIVE	
DisplayPort™ Standard	HBR3 (High Bit Rate 3)
VESA Certified Data Rate	8.1Gbps, 32.4Gbps agg
Supported Data Rate	≥ 8.1Gbps, 32.4Gbps agg (8K UHD)
Construction	
Primary Conductors	Solid 34-28 AWG OFC, length dependent
Auxiliary Conductors	Solid 34-28 AWG OFC, length dependent
Insulation	Primary: Polyethylene / Polypropylene, length dependent Auxiliary: Polyethylene
Shielding	Primary: Al / Mylar, 100% Coverage Overall: AL/Mylar, 100% Coverage + Tinned copper braid, min 85% coverage
Cable Jacket Material	≤ 2.0m: VW-1 fire rated PVC ≥ 3.0m: UL-CMG fire rated PVC
DP Connector Shell	Premium Diecast, 1μ" 24K Gold plated
DP Connector Pins	Solid OFC, 15μ" 24K Gold plated
Termination	Contactless IR induction soldering
DP Backshell	ABS front shell with PVC injection moulded boot and strain relief
Mechanical	
Cable Diameter	≤ 2.0m : 34 AWG, 4.5mm/0.177" ø ≥ 3.0m : 28 AWG, 7.5mm/0.295" ø
Mounting Depth	≤ 2.0m : 34AWG, 61.1mm/2.4" ≥ 3.0m : 28 AWG, 73.1mm/2.88"
Cable Bend Radius	≤ 2.0m : 34 AWG, 18.0mm/0.71" ≥ 3.0m : 28 AWG, 30.0mm/1.18"
Retention Force	Latched - Fixed Locking



PRO 8K, 32.4Gbps DisplayPort™ Cable

Application Specifications	
Video Format Support	Data rate per lane (4 lane mode) / Aggregate
All Lengths	
4K UHD	
8-bit RGB/YCbCr 4:4:4, 10/12-bit 4:2:2 or 4:2:0	
4096 x 2160p/24	2.23Gbps/8.91Gbps
3840 x 2160p/23.98/24/29.97/30	2.23Gbps/8.91Gbps
8-bit YCbCr 4:2:0	
3840 x 2160p/50/59.94/60	2.23Gbps/8.91Gbps
8-bit 4:4:4, 10/12-bit 4:2:2 or 16-bit 4:2:0	
3840 x 2160p/50/59.94/60-2D	4.46Gbps/17.82Gbps
3840 x 2160p/30-3D	4.46Gbps/17.82Gbps
3840 x 2160p/120	8.91Gbps/35.64Gbps
3840 x 2160p/240	17.82Gbps/71.28Gbps*
5K Wide UHD	
8-bit RGB/YCbCr 4:4:4, 10/12-bit 4:2:2 or 4:2:0	
5120 x 2160/24	2.97Gbps/11.88Gbps
5120 x 2160/23.98/24/29.97/30	2.97Gbps/11.88Gbps
8-bit YCbCr 4:2:0	
5120 x 2160/50/59.94/60	2.78Gbps/11.14Gbps
8-bit 4:4:4, 10/12-bit 4:2:2 or 16-bit 4:2:0	
5120 x 2160p/50/59.94/60-2D	5.57Gbps/22.28Gbps
5120 x 2160p/30-3D	5.57Gbps/22.28Gbps
5120 x 2160p/120	11.42Gbps/45.66Gbps*
8K UHD	
8-bit RGB/YCbCr 4:4:4, 10/12-bit 4:2:2 or 16-bit 4:2:0	
7680 x 4320/24	6.12Gbps/24.48Gbps
7680 x 4320/30	6.12Gbps/24.48Gbps
8-bit YCbCr 4:2:0	
7680 x 4320/50/59.94/60	6.12Gbps/24.48Gbps
8-bit 4:4:4, 10/12-bit 4:2:2 or 16-bit 4:2:0	
7680 x 4320/50/59.94/60-2D	12.41Gbps/49.65Gbps*
7680 x 4320/30-3D	12.41Gbps/49.65Gbps*
8-bit 4:2:2	
7680 x 4320/120	25.55Gbps/102.20Gbps*

* Achievable with DSC 1.2a visually lossless compression (Display Stream Compression)

Color Spaces ITU-R BT.601, ITU-R BT.709, sRGB, scRGB, YCbCr, xvYCC, Adobe RGB(1998), DCI-P3, Simplified Color Profile, ITU-BT.2020

Audio Formats Support All known audio formats and it can support up to 32 audio channels and a 1536kHz sample rate.

Part No:	Length	AWG	Technology	Inner Ctn Qty	Inner Ctn Weight Kg	Master Ctn Qty	Master Ctn Weight Kg
K25043-0100-CH	1.0m 3' 3"	34	Passive	12	TBC	72	TBC
K25043-0150-CH	1.5m 4' 11"	34	Passive	10	TBC	60	TBC
K25043-0200-CH	2.0m 6' 6"	34	Passive	8	TBC	48	TBC
K25046-0300-CH	3.0m 9' 10"	28	Passive	12	TBC	24	TBC
K25046-0400-CH	4.0m 13' 2"	28	Passive	10	TBC	20	TBC
K25046-0500-CH	5.0m 16' 4"	28	Passive	8	TBC	16	TBC