

Connectivity.Assured

PRO General Application Integrator HDMI® Cable

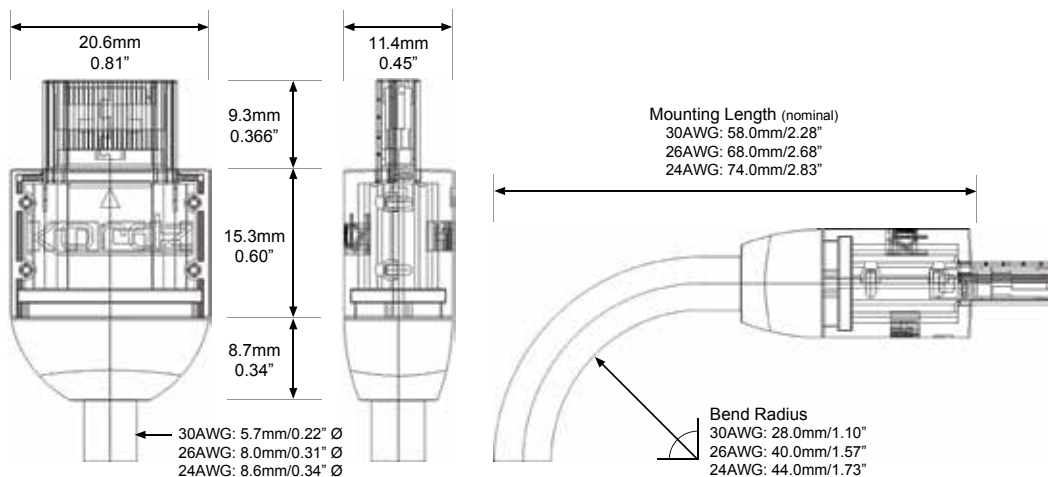
Kordz PRO series is a general application HDMI cable engineered for the professional integrator. It employs materials and construction methodologies which deliver a balance of economy and dependable performance without compromising the most critical elements common to all Kordz HDMI cables; the retention of digital signal integrity.

- Engineered and constructed to ensure installation success and longevity
- High Speed with Ethernet in lengths to 5m (16'4") for 2160p (4K) support
- Standard with Ethernet with operational support to 1080p/60 up to 20m (65ft)
- Infrared soldered pin transitions for benchmark inter-terminal uniformity
- ABS + PVC boot shell assembly with folded gold plated HDMI connector
- 100% of units tested on the production line for electrical continuity on all pins, with full Bit Error Rate (BER) application test
- UL CMG fire rated on all lengths
- Limited lifetime warranty
- **Licensed HDMI 2.0 Adopter company.**



Technical Specifications

HDMI Certification	≤ 5.0m Lengths	7.5m - 20.0m Lengths
HDMI CTS (Certified Test Specification)	High Speed with Ethernet	Standard with Ethernet
Certified Data Rate	3.4Gbps, 10.2Gbps agg	0.7425Gbps, 2.25Gbps agg.
Supported Data Rate	≥ 3.4Gbps (4K UHD)	≥ 1.485Gbps (1080p/60)
HDMI Clock	27-340MHz	27-148.5MHz
Construction		
Primary Conductors	Solid 30-24AWG OFC, length dependent	
Insulation	TMDS	HD-PE ≤ 1.7 relative permittivity
	4C + HEAC Pairs	Solid polyolefin ≤ 2.0 relative permittivity
Shielding	TDMS Pairs	Al / Mylar, 25% overlap
	Overall	AL/Mylar + AL braid 80% coverage
Cable Jacket	UL CMG - fire rated PVC	
HDMI Connector Shell	Premium gauge folded steel, 1μ" 24K Gold plated	
HDMI Connector Pins	Solid OFC, 15μ" 24K Gold plated	
Termination	Contactless IR induction soldering	
Strain Relief	ABS shell assembly with PVC boot strain relief	
Mechanical		
Cable Diameter	30AWG 5.7mm/0.22" 26AWG 8.0mm/0.31" 24AWG 8.6mm/0.34"	
Mounting Depth	cable gauge dependent (see below)	
Cable Bend Radius	cable gauge dependent (see below)	
Retention Force (nom)	9.9N (1kg / 2.2lbs) +10/-5%	



HDMI®
2.0 Adopter

kordz.com



kordz.com



PRO General Application Integrator HDMI® Cable

Application Specifications	
Video Format Support	Data rate per channel / Aggregate, TMDS Bandwidth
All Lengths	
480i/p, 576i/p	≤ 540Mbps/1.62Gbps, 270MHz
720p/60, 1080i/60	742.5Mbps/2.22Gbps, 371.25MHz
1080p - 8-bit RGB/YCbCr 4:4:4, 10/12-bit 4:2:2 or 4:2:0	
23.98/24/29.97/30	742.5Mbps/2.22Gbps, 371.25MHz
50/59.94/60	148.5Mbps/4.455Gbps, 742.5MHz
3D-24/30	148.5Mbps/4.455Gbps, 742.5MHz
3D-50/60	2.97Gbps/8.91Gbps, 1.485GHz
Lengths to 5m only - High Speed	
1080p - 10/12/16-bit RGB/YCbCr 4:4:4 - 50/59.94/60fps	max. 2.97Gbps/8.91Gbps, 1.485GHz
2160p (UHD/4K)	
HDMI 1.4b - 8-bit RGB/YCbCr 4:4:4, 10/12-bit 4:2:2 or 4:2:0	
4096x2160p/24 (SMPTE)	2.97Gbps/8.91Gbps, 1.485GHz
3840x2160p/23.98/24/29.97/30	2.97Gbps/8.91Gbps, 1.485GHz
HDMI 2.0 - 8-bit YCbCr 4:2:0 - 2160p*/50/59.94/60	
	2.97Gbps/8.91Gbps, 1.485GHz
VESA Graphics	Supports all as defined by HDMI 2.0 specification, up to 8.91Gbps
Color Spaces	RGB, YCbCr, xvYCC, Adobe sRGB, sYCC601, ITU-BT.2020
Audio Formats Support	PCM 2.0-7.1, DD/DTS HD 7.1, 3D Audio
3D Audio (10.2 / 22.2 / 30.2ch)	Supported - device & video format dependant
HDMI Ethernet Channel	Supported - system dependant
HDMI Audio Return Channel	Supported - system dependant

* HDMI 2.0 2160p modes encapsulate both 4,096 or 3,840 Hres variants & 4:3 anamorphic pixel ratio support

Commercial Range Comparison Features	ONE	PRO	PRS ³	R.3
1080p60 On all Lengths	✓	✓	✓	✓
4K24 4:2:2 HDR12	to 3m	to 5m	✓	✓
4K60 4:4:4 8 Bit			✓	✓
10.2 Gbps Guaranteed Bandwidth	to 3m	to 5m	✓	✓
18.0 Gbps Guaranteed Bandwidth			✓	✓
Connector Retention Force	<1kg	1kg	3kg*	2kg
Dual wrap Al/Mylar + industry leading 90% coverage copper braid shield				✓
DPL Labs Certified			✓	✓
THX Certified				✓
Lifetime Warranty	✓	✓	✓**	✓
Jacket Material - fire rating		UL CMG	UL CMG***	LSZH

* 1kg Retention Force on the AOC HDMI Cable ** 5 Year Warranty on All Active Cables

***Available in LSZH on AOC Cables Only

Part No:	Length	AWG	Technology	Inner Ctn Qty	Inner Ctn Weight Kgs	Master Ctn Qty	Master Ctn Weight Kgs
PRO-HD0500	0.5m 1' 7"	30	Passive	15	0.92	90	5.5
PRO-HD0100	1.0m 3' 3"	30	Passive	12	1.01	72	6.0
PRO-HD0150	1.5m 4' 11"	30	Passive	10	1.07	60	6.4
PRO-HD0200	2.0m 6' 6"	30	Passive	8	1.07	48	6.4
PRO-HD0300	3.0m 9' 10"	30	Passive	6	1.10	36	6.6
PRO-HD0500	5.0m 16' 4"	26	Passive	3	1.42	18	8.5
PRO-HD0750	7.5m 1' 7"	26	Passive	8	5.15	16	10.3
PRO-HD1000	10.0m 3' 3"	26	Passive	5	4.40	10	8.8
PRO-HD1250	12.5m 6' 6"	24	Passive	4	5.10	8	10.2
PRO-HD1500	15.0m 9' 10"	24	Passive	4	5.95	8	11.9
PRO-HD2000	20.0m 16' 4"	24	Passive	3	5.90	6	11.8

Kordz products are sold with a limited warranty as outlined at: www.kordz.com

©2019 Kordz International. All rights reserved. Kordz Connectivity.Assured & Kordz range logos are trademarks or registered trademarks of Kordz International in Hong Kong and in other countries. All other trademarks are the property of their respective owners.