

Connectivity.Assured

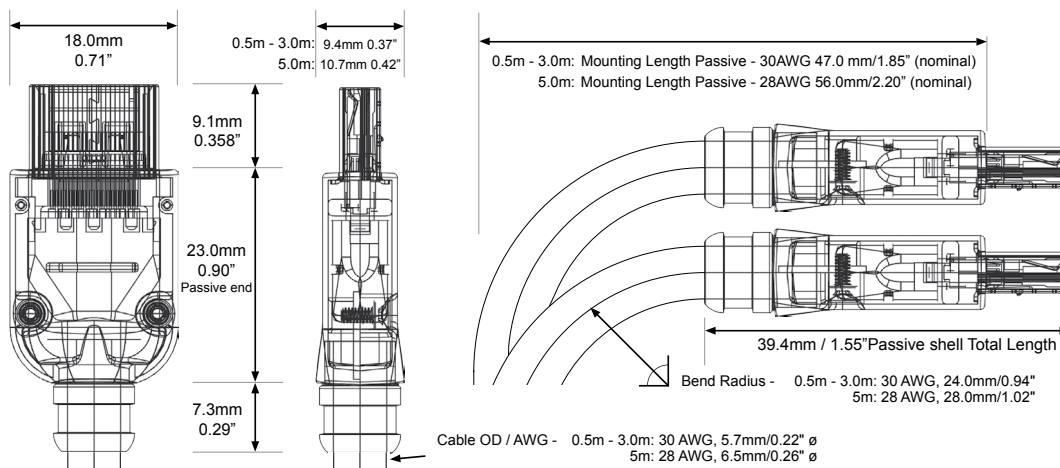
PRS³ 4K UHD 18Gbps Passive HDMI[®] Cable

Kordz PRS³ features a narrow profile full metal die-cast shell assembly behind a unique grip tab HDMI connector for 3kg receptacle retention capacity. Engineered to mitigate connector dropout potential - not suitable for repeated plug/unplug events.

- ▶ DPL Certified 4K 18G-DC,
- ▶ High Speed with Ethernet on all lengths,
- ▶ Passive in lengths 0.5m - 5m / 1.64' - 16.4',
- ▶ Engineered to fit through 1" conduit,
- ▶ Infrared soldered pin transitions for benchmark inter-terminal uniformity,
- ▶ Unique grip tab connectors for permanent installations,
- ▶ 100% of units tested on the production line for electrical continuity on all pins, with full Bit Error Rate (BER) application test,
- ▶ UL CMG fire rated in all lengths,
- ▶ Limited Lifetime warranty,
- ▶ **Licensed HDMI 2.0 Adopter company.**



Technical Specifications	
HDMI Certification ≤ 5.0m PASSIVE	
HDMI CTS (Certified Test Specification)	High Speed with Ethernet
DPL Labs Certified Data Rate	.6.0Gbps, 17.82Gbps agg
Supported Data Rate	≥ 6.0Gbps, 17.82Gbps agg (4K UHD)
HDMI Clock	27-340MHz
Construction	
Primary Conductors	Solid 28-30 AWG OFC, length dependent
Insulation	TMDS Foam PE 4C + HEAC Pairs HDPE / Foamed PE, length dependent
Shielding	TDMS Pairs Al / Mylar Overall AL/Mylar + CU braid 80% coverage
Cable Jacket	UL CMG fire rated PVC
HDMI Connector Shell	Pressed steel with dual grip tabs, 1µ" 24K Gold plated
HDMI Connector Pins	Solid OFC, 15µ" 24K Gold plated
Termination	Contactless IR induction soldering
HDMI Backshell	Charcoal powder coated with stoving varnish die-cast zinc alloy shell assembly
Mechanical	
Cable Diameter	0.5m - 3.0m: 30 AWG, 5.7mm/0.22" ø 5m: 28 AWG, 6.5mm/0.26" ø
Mounting Depth	0.5m - 3.0m: 30AWG, 47.0mm/1.85" 5m: 28 AWG, 56mm/2.20"
Cable Bend Radius	0.5m - 3.0m: 30 AWG, 24.0mm/0.94" 5m: 28 AWG, 28.0mm/1.02"
Retention Force (nom)	29.7N (3kg / 6.6lbs) +10/-5%



HDMI[®]
2.0 Adopter

DPL Labs Certified



kordz.com



PRS³ 4K UHD 18Gbps Passive HDMI[®] Cable

Application Specifications	
Video Format Support	Data rate per channel / Aggregate, TMDS Bandwidth
480i/p, 576i/p	≤ 540Mbps/1.62Gbps, 270MHz
720p/1080i	742.5Mbps/2.22Gbps, 371.25MHz
1080p - 8-bit RGB/YCbCr 4:4:4, 10/12-bit 4:2:2 or 4:2:0	
23.98/24/29.97/30	742.5Mbps/2.22Gbps, 371.25MHz
50/59.94/60	1.485Gbps/4.455Gbps, 742.5MHz
3D-24/30	1.485Gbps/4.455Gbps, 742.5MHz
3D-50/60	2.97Gbps/8.91Gbps, 1.485GHz
1080p - 10/12/16-bit RGB/YCbCr 4:4:4	
50/59.94/60fps	1.86-2.97Gbps/5.57-8.91Gbps, ≤ 1.485GHz
2160p (UHD/4K)	
HDMI 1.4b - 8-bit RGB/YCbCr 4:4:4, 10/12-bit 4:2:2 or 4:2:0	
4096x2160p/24 (SMPTE)	2.97Gbps/8.91Gbps, 1.485GHz
3840x2160p/23.98/24/29.97/30	2.97Gbps/8.91Gbps, 1.485GHz
HDMI 2.0 - 8-bit YCbCr 4:2:0	
2160p*/50/59.94/60	2.97Gbps/8.91Gbps, 1.485GHz
HDMI 2.0 Mode, 8-bit 4:4:4, 10/12-bit 4:2:2 or 16-bit 4:2:0	
2160p*/50/59.94/60-2D 9CEA-861-F	5.94Gbps/17.82Gbps, 2.97GHz
2160p*30-3D	5.94Gbps/17.82Gbps, 2.97GHz
VESA Graphics	Supports all as defined by HDMI 2.0 specification, up to 17.82Gbps
Color Spaces	RGB, YCbCr, xvYCC, Adobe sRGB, sYCC601, ITU-BT.2020
Audio Formats Support	PCM 2.0-7.1, DD/DTS HD 7.1, 3D Audio (10.2 22.2 30.2ch)
HDMI Audio Return Channel	Supported, System Dependant

Commercial Range Comparison Features	ONE	PRO	PRS ³	R.3
1080p60 On all Lengths	✓	✓	✓	✓
4K24 4:2:2 HDR12	to 3m	to 5m	✓	✓
4K60 4:4:4 8 Bit			✓	✓
10.2 Gbps Guaranteed Bandwidth	to 3m	to 5m	✓	✓
18.0 Gbps Guaranteed Bandwidth			✓	✓
Connector Retention Force	<1kg	1kg	3kg	2kg
Dual wrap Al/Mylar + industry leading 90% coverage copper braid shield				✓
DPL Labs Certified			✓	✓
THX Certified				✓
Lifetime Warranty	✓	✓	✓*	✓
Jacket Material - fire rating		UL CMG	✓**	LSZH

* 5 Year Warranty on all Active & AOC HDMI Cables ** Available with fire ratings - UL CMG for all Passive/Active HDMI Cables & LSZH or CMP for AOC HDMI Cables

Part No:	Length	AWG	Technology	Inner Ctn Qty	Inner Ctn Weight Kg	Master Ctn Qty	Master Ctn Weight Kg
K36036-0050-CH	0.5m 1' 7"	30	Passive	15	0.98	90	6.8
K36036-0100-CH	1.0m 3' 3"	30	Passive	10	1.15	60	7.8
K36036-0150-CH	1.5m 4' 11"	30	Passive	8	TBC	48	TBC
K36036-0200-CH	2.0m 6' 6"	30	Passive	6	1.25	36	8.0
K36036-0300-CH	3.0m 9' 10"	30	Passive	10	TBC	30	TBC
K36036-0500-CH	5.0m 16' 4"	28	Passive	5	1.01	15	7.0

