

Connectivity.Assured

R.3 4K UHD 18Gbps Rack Install HDMI® Cable

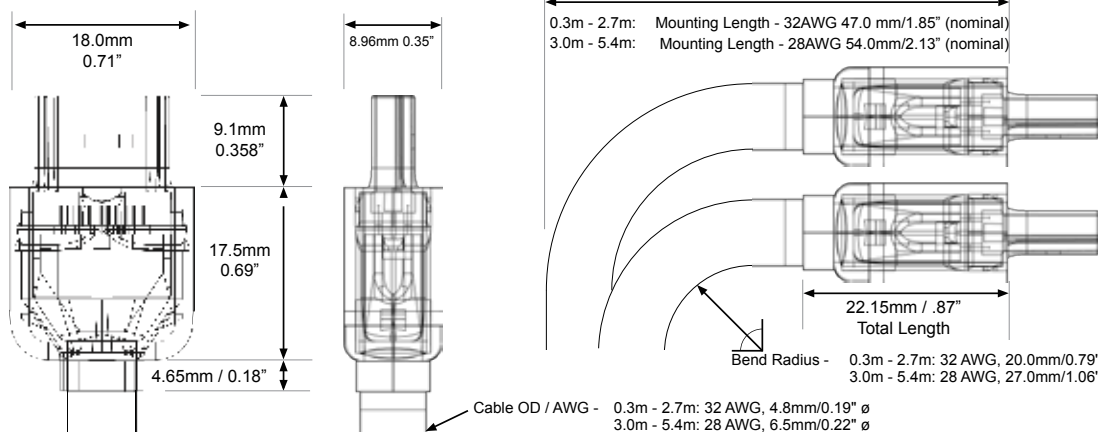
Kordz R.3 is engineered for bespoke commercial AV rack and critical application installations. The unique combination of the die-cast HDMI connector, flexible halogen free cable and small profile lightweight design results in unrivalled installation flexibility and robustness. Beyond this, the R.3 cables have increased shielding to prevent electromagnetic interference (EMI) which often occurs in rack environments.

- Engineered and built to deliver maximum commercial up-time
- 0.3 - 3.0m lengths in 0.3m increments for precision rack fit-offs
- 3.6 - 5.4m lengths in 0.6m increments
- High bandwidth solid OFC conductors
- Induction soldered pin transitions for benchmark inter-terminal uniformity
- Anti-fatigue Die-cast Zn alloy connectors tested to $\geq 1,000$ cycles & 2kg retention force
- 100% of units tested for zero bit error rate @ 340Mcs, $< 0.05\%$ in-field failure rate
- Halogen-free construction
- THX® Certified 4K Interconnect
- DPL Certified 4K 18G-DC
- Limited lifetime warranty



Technical Specifications

HDMI Certification	$\leq 5.4m$ PASSIVE	
HDMI CTS (Certified Test Specification)	High Speed with Ethernet	
DPL Labs Certified Data Rate	6.0Gbps, 17.82Gbps agg	
DPL Labs Certified Data Rate	$\geq 6.0Gbps$, 17.82Gbps agg (4K UHD)	
HDMI Clock	27-340MHz	
Construction		
Primary Conductors	Solid 32/28AWG OFC, length dependent	
Insulation	TMDS	Foamed PE / Polyolefin
	4C + HEAC Pairs	Foamed PE / Polyolefin
Shielding	TDMS Pairs	Al / Mylar
	Overall	Al/Mylar + CU braid 90% coverage
Cable Jacket	Halogen-free TPE	
HDMI Connector Shell	Anti-fatigue die-cast Zn alloy, 1μ " 24K Gold plated	
HDMI Connector Pins	Solid OFC, 15μ " 24K Gold plated	
Termination	Contactless IR induction soldering	
HDMI Backshell	Al anodised front with Halogen-free TPE strain relief	
Mechanical		
Cable Diameter	0.3m - 2.7m: 32 AWG, 4.8mm/0.19" \varnothing 3.0m - 5.4m: 28 AWG, 6.5mm/0.22" \varnothing	
Mounting Depth	0.3m - 2.7m: 32 AWG, 47.0mm/1.85" \varnothing 3.0m - 5.4m: 28 AWG, 54.0mm/2.13" \varnothing	
Cable Bend Radius	0.3m - 2.7m: 32 AWG, 20.0mm/0.79" \varnothing 3.0m - 5.4m: 28 AWG, 27.0mm/1.06" \varnothing	
Retention Force (nom)	20N (approx 2kg / 4.4lbs) +10/-5%	



HDMI®
2.0 Adopter

DPL Labs Certified



kordz.com



R.3 4K UHD 18Gbps Rack Install HDMI® Cable

Application Specifications	
Video Format Support	Data rate per channel / Aggregate, TMDS Bandwidth
480i/p, 576i/p	≤ 540Mbps/1.62Gbps, 270MHz
720p/1080i	742.5Mbps/2.22Gbps, 371.25MHz
1080p - 8-bit RGB/YCbCr 4:4:4, 10/12-bit 4:2:2 or 4:2:0	
23.98/24/29.97/30	742.5Mbps/2.22Gbps, 371.25MHz
50/59.94/60	1.485Gbps/4.455Gbps, 742.5MHz
3D-24/30	1.485Gbps/4.455Gbps, 742.5MHz
3D-50/60	2.97Gbps/8.91Gbps, 1.485GHz
1080p - 10/12/16-bit RGB/YCbCr 4:4:4	
50/59.94/60fps	1.86-2.97Gbps/5.57-8.91Gbps, ≤ 1.485GHz
2160p (UHD/4K)	
HDMI 1.4b - 8-bit RGB/YCbCr 4:4:4, 10/12-bit 4:2:2 or 4:2:0	
4096x2160p/24 (SMPTE)	2.97Gbps/8.91Gbps, 1.485GHz
3840x2160p/23.98/24/29.97/30	2.97Gbps/8.91Gbps, 1.485GHz
HDMI 2.0 - 8-bit YCbCr 4:2:0	
2160p*/50/59.94/60	2.97Gbps/8.91Gbps, 1.485GHz
HDMI 2.0 Mode, 8-bit 4:4:4, 10/12-bit 4:2:2 or 16-bit 4:2:0	
2160p*/50/59.94/60-2D 9CEA-861-F	5.94Gbps/17.82Gbps, 2.97GHz
2160p*30-3D	5.94Gbps/17.82Gbps, 2.97GHz
VESA Graphics	Supports all as defined by HDMI 2.0 specification, up to 17.82Gbps
Color Spaces	RGB, YCbCr, xvYCC, Adobe sRGB, sYCC601, ITU-BT.2020
Audio Formats Support	PCM 2.0-7.1, DD/DTS HD 7.1, 3D Audio (10.2 22.2 30.2ch)
HDMI Audio Return Channel	Supported, System Dependant

Commercial Range Comparison Features	ONE	PRO	PRS ³	R.3
1080p60 On all Lengths	✓	✓	✓	✓
4K24 4:2:2 HDR12	to 3m	to 5m	✓	✓
4K60 4:4:4 8 Bit			✓	✓
10.2 Gbps Guaranteed Bandwidth	to 3m	to 5m	✓	✓
18.0 Gbps Guaranteed Bandwidth			✓	✓
Connector Retention Force	<1kg	1kg	3kg*	2kg
Dual wrap Al/Mylar + industry leading 90% coverage copper braid shield				✓
DPL Labs Certified			✓	✓
THX Certified				✓
Lifetime Warranty	✓	✓	✓**	✓
Jacket Material - fire rating		UL CMG	UL CMG***	ZH

* 1kg Retention Force on the AOC HDMI Cable ** 5 Year Warranty on All Active Cables ***Available in LSZH on AOC Cables Only

Part No:	Length	AWG	Technology	Inner Ctn Qty	Inner Ctn Weight Kgs	Master Ctn Qty	Master Ctn Weight Kgs
R.3-HD0030	0.3m 0' 11.8"	32	Passive	18	0.88	108	5.3
R.3-HD0060	0.6m 1' 11.6"	32	Passive	15	0.93	90	5.3
R.3-HD0090	0.9m 2' 11.4"	32	Passive	12	0.88	72	5.2
R.3-HD0120	1.2m 3' 11.2"	32	Passive	12	0.98	72	5.8
R.3-HD0150	1.5m 4' 11.0"	32	Passive	10	0.97	60	5.6
R.3-HD0180	1.8m 5' 10.8"	32	Passive	10	1.05	60	6.1
R.3-HD0210	2.1m 6' 10.6"	32	Passive	8	0.98	48	5.7
R.3-HD0240	2.4m 7' 10.5"	32	Passive	8	1.05	48	6.0
R.3-HD0270	2.7m 8' 10.3"	32	Passive	6	0.92	36	5.5
R.3-HD0300	3.0m 9' 10.1"	28	Passive	8	1.87	24	5.8
R.3-HD0360	3.6m 11' 9.7"	28	Passive	8	2.07	24	6.5
R.3-HD0420	4.2m 13' 9.3"	28	Passive	8	2.30	24	6.9
R.3-HD0480	4.8m 15' 9.0"	28	Passive	6	2.03	18	6.3
R.3-HD0540	5.4m 17' 8.6"	28	Passive	6	2.20	18	6.9