

# Wall Mount and Patch Enclosure

Large, empty w/solid metal door, optional lock/key

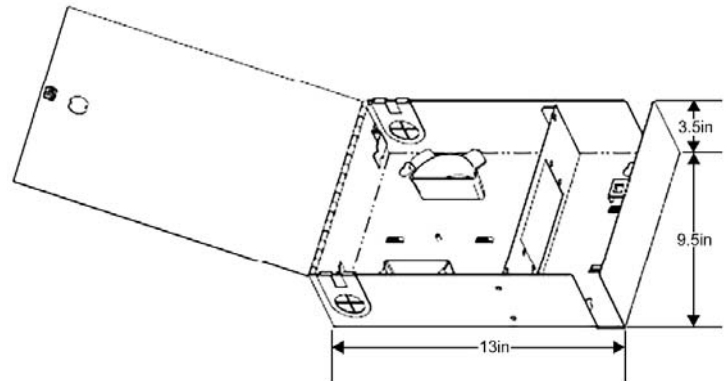


Cleerline SSF™ wall mount fiber distribution units are designed to support patching and splicing in one unit. The enclosure has 8 adapter panel positions, allowing for a wide variety of fiber termination connector types. Two compartments separate the network terminations from the distribution terminations, and the unit has a single outer door with optional key lock.



## FEATURES AND BENEFITS

- Accommodates up to 8 adapter plates
- Cable entry tie down points
- Single door with optional key lock available
- Top or bottom cable entry
- LGX® compatible adapter plates



## SPECIFICATIONS

Adapter Plates	8
Splice Trays	4
Dimensions	17"Hx12"Wx6"D
Packaging	20"Hx16"Wx11"D
Weight	16 lbs empty/20 lbs typical loaded
Material	18 GA Steel, Black powder coat
Compatible with	SSF™ adapter plates

## PART NUMBERS

SSF-LWM-SOLID-NL-E8	Large, empty with solid metal door, no lock
SSF-LWM-SOLID-WL-E8	Large, empty with solid metal door, with one lock/key