



AC-AUDEX-DIGI

Digital Audio over Single CAT5e/6/7 Extender



Operation Manual

DISCLAIMERS

The information in this manual has been carefully checked and is believed to be accurate. AVProConnect assumes no responsibility for any infringements of patents or other rights of third parties which may result from its use.

AVProConnect assumes no responsibility for any inaccuracies that may be contained in this document. AVProConnect also makes no commitment to update or to keep current the information contained in this document.

AVProConnect reserves the right to make improvements to this document and/or product at any time and without notice.

COPYRIGHT NOTICE

No part of this document may be reproduced, transmitted, transcribed, stored in a retrieval system, or any of its part translated into any language or computer file, in any form or by any means—electronic, mechanical, magnetic, optical, chemical, manual, or otherwise—without express written permission and consent from AVProConnect.

© Copyright 2017 by AVProConnect. All

Rights Reserved.

Version 1.0 December 2017

TRADEMARK ACKNOWLEDGMENTS

All products or service names mentioned in this document may be trademarks of the companies with which they are associated.

SAFETY PRECAUTIONS

Please read all instructions before attempting to unpack, install or operate this equipment and before connecting the power supply.

Please keep the following in mind as you unpack and install this equipment:

- Always follow basic safety precautions to reduce the risk of fire, electrical shock and injury to persons.
- To prevent fire or shock hazard, do not expose the unit to rain, moisture or install this product near water.
- Never spill liquid of any kind on or into this product.
- Never push an object of any kind into this product through any openings or empty slots in the unit, as you may damage parts inside the unit.
- Do not attach the power supply cabling to buildingsurfaces.
- Use only the supplied power supply unit (PSU). Do not use the PSU if it is damaged.
- Do not allow anything to rest on the power cabling or allow any weight to be placed upon it or any person walk on it.
- To protect the unit from overheating, do not block any vents or openings in the unit housing that provide ventilation and allow for sufficient space for air to circulate around the unit.

REVISION HISTORY

VERSION NO.	DATE DD/MM/YY	SUMMARY OF CHANGE
VS1	12/1/17	First release

CONTENTS

- 1. Introduction 5
- 2. Applications 5
- 3. Package Contents 5
- 4. System Requirements 5
- 5. Features 5
- 6. Operation Controls and Functions 6
 - 6.1 Transmitter Front and Rear Panels..6
 - 6.2 Receiver Front and Rear Panels..... 7
 - 6.3 RJ45 Pin Assignment..... 8
- 7. Connection Diagram 9
- 8. Specifications 10
- 9. Acronyms..... 10

1. INTRODUCTION

The Digital Audio Extender is useful for sending the digital audio signal up to 150m away at high quality. The units can switch between Coaxial and Optical digital signals and can be powered by either USB or power adaptor allowing users flexibility of choice between power sources. With its elegant and compact design, user friendly operation and easy installation, the Digital Audio Extender is ideal tool for extending digital audio from one location to another.

2. APPLICATIONS

- Coaxial or Optical digital audio signal extension over single CAT5/6/7 cable up to 150m

3. PACKAGE CONTENTS

- Digital Audio over Single CAT5e/6/7 Transmitter
- Digital Audio over Single CAT5e/6/7 Receiver
- 5V/1 A DC Power Adaptor
- Operation Manual

4. SYSTEM REQUIREMENTS

Coaxial/Optical audio input source and amplifier or speaker output and single CAT6 cable for connecting transmitter and receiver.

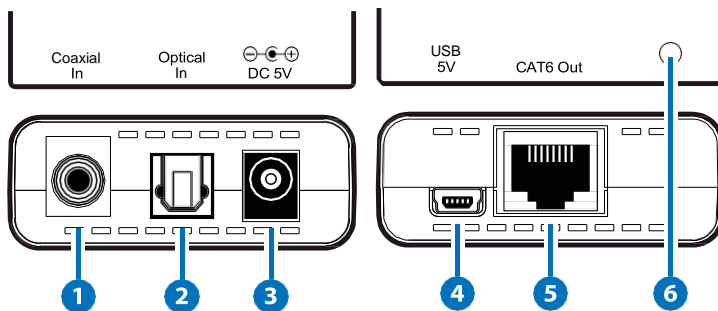
5. FEATURES

- Supports Coaxial or Optical digital audio S/PDIF signal
- Supports stereo and multi-channel digital audio such as LPCM 2 CH, Dolby Digital or DTS 5.1 CH
- Supports industry standard Category 5/5e/6 cable
- Digital audio S/PDIF performance sampling rate 96 kHz
- Supports single Coaxial input to Coaxial signal output
- Supports single Optical input to Optical signal output

Note: Only one of the two units need to be powered for both to operate. Use only a single type of power per unit, either the 5VDC power supply or the 5V USB connection.

6. OPERATION CONTROLS AND FUNCTIONS

6.1 Transmitter Front and Rear Panels



1 Coaxial In

Connect to source audio equipment such as DVD or Blu-ray players with a Coaxial digital audio output.

2 Optical In

Connect to source audio equipment such as DVD or Blu-ray players with an Optical digital audio output.

3 DC 5V

Plug the 5V DC power supply into the unit and connect the adaptor to an AC outlet.

4 USB 5V

Connect with a USB cable for power supply from computer or notebook.

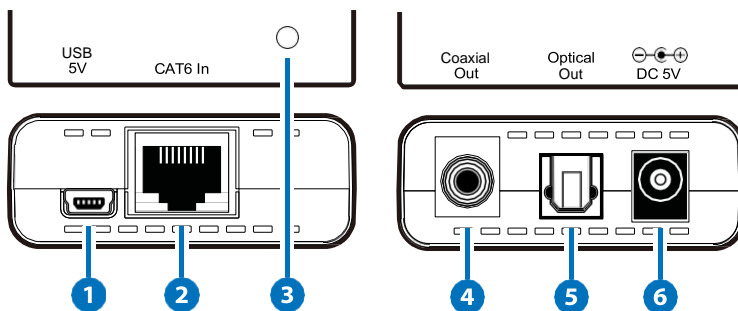
5 CAT6 Out

Connect to the receiver unit with a single CAT6 cable.

6 Power LED

The blue LED will light when the device is powered.

6.2 Receiver Front and Rear Panels



1 USB 5V

Connect with a USB cable for power supply from computer or notebook.

2 CAT6 In

Connect to the receiver unit with a single CAT6 cable.

3 Power LED

The blue LED will light when the device is powered.

4 Coaxial Out

Connect to an amplifier or active speakers with coaxial input.

5 Optical Out

Connect to an amplifier or active speakers with optical input.

6 DC 5V

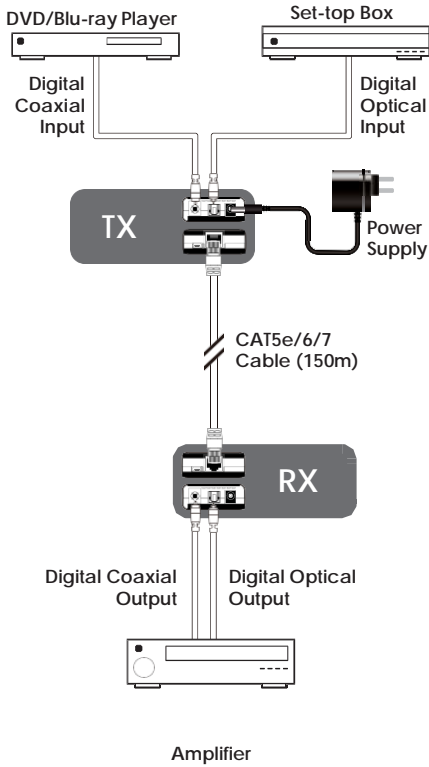
Plug the 5V DC power supply into the unit and connect the adaptor to an AC outlet.

6.3 RJ45 Pin Assignment

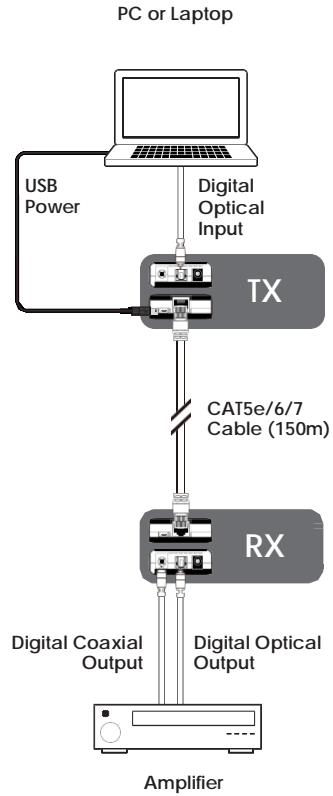
TRANSMITTER			RECEIVER	
Pin	Definition		Pin	Definition
1	Signal A		1	Signal A
2	Signal B		2	Signal B
3	Signal C		3	Signal C
4	GND		4	GND
5	GND		5	GND
6	Signal D		6	Signal D
7	DC 5V		7	DC 5V
8	DC 5V		8	DC 5V

7. CONNECTION DIAGRAM

Example 1



Example 2



8. SPECIFICATIONS

TRANSMITTER

Input Ports 1×Coaxial, 1×Optical
Output Port 1×CAT6

RECEIVER

Input Port 1×CAT6
Output Ports 1×Coaxial, 1×Optical

CAT6 Cable Distance 150m
Sample Rate 32/44.1/48/88.2/96 kHz
ESD Protection Human Body Model:

± 6kV (air-gap discharge)
 ± 4kV (contact discharge)

Power Supply 5 V/1 A DC (US/EU Standards, CE/FCC/UL certified)

Dimensions 22 mm (H)×70 mm (W)×50 mm (D)/each

Weight 50 g/each

Chassis Material Plastic

Silkscreen Color White

Operating Temperature 0 °C~45 °C/32 °F~104 °F

Storage Temperature -20 °C ~ 60 °C/-4 °F~140 °F

Relative Humidity 20~90 % RH (non-condensing)

Power Consumption 2 W

9. ACRONYMS

ACRONYM	COMPLETE TERM
CAT5	Category 5 Cable
CAT6	Category 6 Cable
S/PDIF	Sony/Philips Digital Interconnect Format

Thank you for choosing
AVProConnect!

Please contact us with any questions.
We are happy to be of service!



3518 N Casco Avenue, Sioux Falls, SD 57104
1-877-886-5112 or +1 605-274-6055
support@avproconnect.com
support.avproconnect.com